

Safety Waste Caps

Hazardous Vapors under control.

- ✓ Closed System
- ✓ Clean Laboratory Air
- ✓ Standardized Connections



Filling Units

Feedthroughs

Pipe System

Tubing System

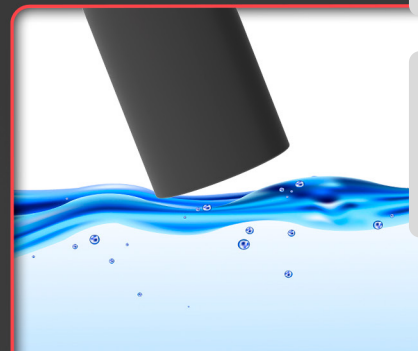
Safety Waste Caps

Ventilation

Containers

Level Control

Safety Cabinets



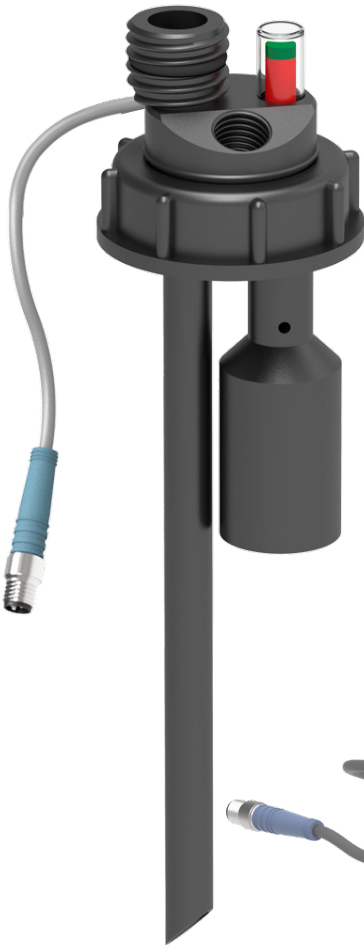
Safety Waste Caps with Sensor

S 55, S 60/61

A 106 478

Safety Waste Cap S 55

- Electronic level control
- Immersed filling
- 200 mm lance
- GL 25 (m)
- Material = PTFE-EL
- GL 14 connection



B 106 719

Safety Waste Cap S 55

- Electronic level control
- with shut-off
- GL 25 (m)
- Material = PTFE-EL
- GL 14 connection



C 106 718

Safety Waste Cap S 60/61

- Electronic level control
- with shut-off
- GL 25 (m)
- Material = PTFE-EL
- GL 14 connection



D 106 480

Safety Waste Cap S 60/61

- Electronic level control
- GL 25 (m)
- Material = PTFE-EL
- GL 14 connection



Fig.	Part No.	Description	Material
A	106 478	Safety Waste Cap, S 55, with immersed filling lance and electronic level control	PTFE-EL
B	106 719	Safety Waste Cap, S 55 with shut-off and electronic level control	PTFE-EL
C	106 718	Safety Waste Cap, S 60/61 with shut-off and electronic level control	PTFE-EL
D	106 480	Safety Waste Cap, S 60/61 with electronic level control	PTFE-EL

Safety Waste Caps with Sensor

S 60/61, S 90

E 306 581

Safety Waste Cap S 60/61

- Adjustable capacitive level control
- Can only be used with switch amplifier
- 2 m cable length
- GL 25 (m)
- Material = PTFE-EL
- GL 14 connection



F 306 637

Safety Waste Cap S 60/61

- Adjustable capacitive level control
- Can only be used with switch amplifier
- 2 m cable length
- M8 cable connection
- GL 25 (m)
- Material = PTFE-EL
- GL 14 connection
- 3 pin mal connector



G 106 720

Safety Waste Cap S 90

- Electronic level control with shut-off
- GL 25 (mm)
- Material = PTFE-EL
- GL 14 connection



H 106 484

Safety Waste Cap S 90

- Electronic level control
- GL 25 (m)
- Material = PTFE-EL
- GL 14 connection

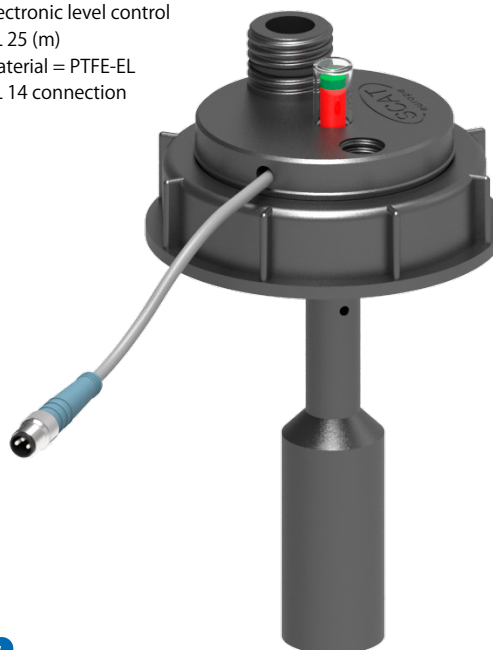


Fig.	Part No.	Description	Material
E	306 581	Safety Waste Cap, S 60/61 with adjustable capacitive level control, 2 m cable	PTFE-EL
	306 659	Safety Waste Cap, S 60/61 with adjustable capacitive level control, 5 m cable	PTFE-EL
F	306 637	Safety Waste Cap, S 60/61 with adjustable capacitive level control, 2 m cable, M8 cable connection	PTFE-EL
G	106 720	Safety Waste Cap, S 90 with shut-off and electronic level control	PTFE-EL
H	106 484	Safety Waste Cap, S 90 with electronic level control	PTFE-EL

Filling Units

Feedthroughs

Pipe System

Tubing System

Safety Waste Caps

Ventilation

Containers

Level Control

Safety Cabinets

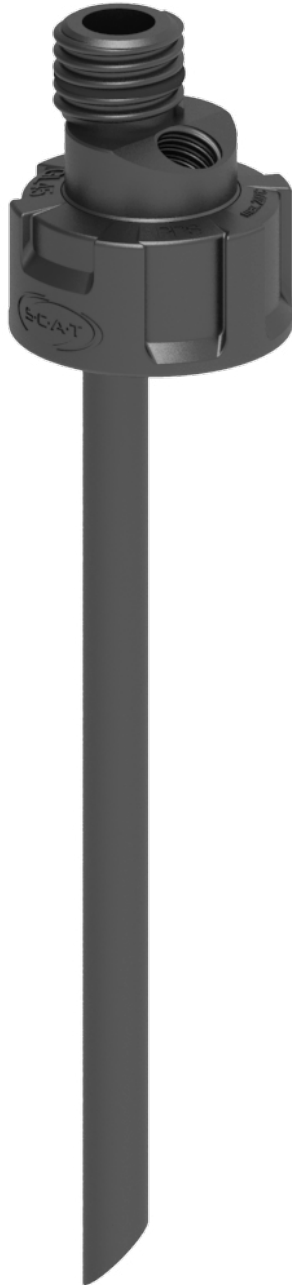
Safety Waste Caps without Sensor

GL 45, S 50

A 106 527

Safety Waste Cap GL 45

- Immersed filling
- 200 mm lance
- GL 25 (m)
- Material = PTFE-EL
- GL 14 connection



B 450 045

Safety Waste Cap LISA GL 45

- 4 Capillary connections
- 3 Tube connections
- Fitting 1.6 mm: 4 pieces
- Fitting 2.3 mm: 4 pieces
- Fitting 3.2 mm: 4 pieces
- Tube connector: 3 pieces
- Blind plugs
- Material = PTFE-EL
- GL 14 connection



C 460 050

Safety Waste Cap S 50

- 2 Capillary connections
- 1 Tube connection
- Fitting 2.3 mm: 2 pieces
- Fitting 3.2 mm: 2 pieces
- Tube connector: 1 piece
- Material = PTFE-EL
- GL 14 connection



D 450 050

Safety Waste Cap LISA S 50

- 4 Capillary connections
- 3 Tube connections
- Fitting 1.6 mm: 4 pieces
- Fitting 2.3 mm: 4 pieces
- Fitting 3.2 mm: 4 pieces
- Tube connector: 3 pieces
- Blind plugs
- Material = PTFE-EL
- GL 14 connection



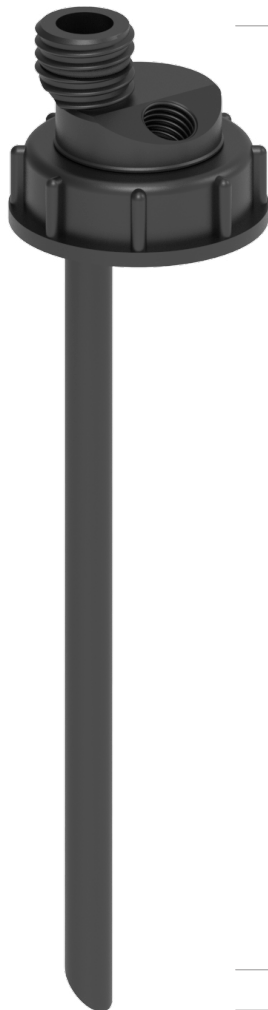
Fig.	Part No.	Description	Material
A	106 527	Safety Waste Cap, GL 45 with immersed filling lance	PTFE-EL
B	450 045	Safety Waste Cap LISA, GL 45	PTFE-EL
C	460 050	Safety Waste Cap, S 50	PTFE-EL
D	450 050	Safety Waste Cap LISA, S 50, adapter made of PE-HD-EL	PTFE-EL/PE-HD-EL

Safety Waste Caps without Sensor

S 55, S 60/61

A 106 522
Safety Waste Cap S 55

- Immersed filling
- 200 mm lance
- GL 25 (m)
- Material = PTFE-EL
- GL 14 connection



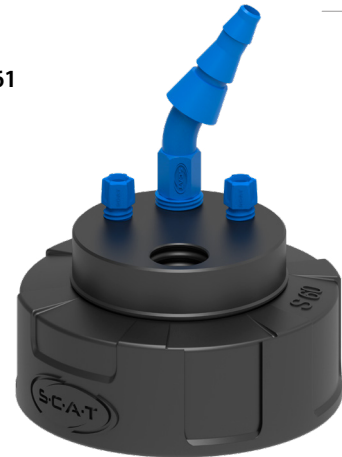
B 450 055
Safety Waste Cap LISA S 55

- 4 Capillary connections
- 3 Tube connections
- Fitting 1.6 mm: 4 pieces
- Fitting 2.3 mm: 4 pieces
- Fitting 3.2 mm: 4 pieces
- Tube connector: 3 pieces
- Blind plugs
- Material = PTFE-EL
- GL 14 connection



C 460 060
Safety Waste Cap S 60/61

- 2 Capillary connections
- 1 Tube connection
- Fitting 2.3 mm: 2 pieces
- Fitting 3.2 mm: 2 pieces
- Tube connector: 1 piece
- Material = PTFE-EL
- GL 14 connection



E 306 482
Safety Waste Cap S 60/61

- GL 25 (m)
- Material = PTFE-EL
- GL 14 connection



D 450 060
Safety Waste Cap LISA S 60/61

- 4 Capillary connections
- 3 Tube connections
- Fitting 1.6 mm: 4 pieces
- Fitting 2.3 mm: 4 pieces
- Fitting 3.2 mm: 4 pieces
- Tube connector: 3 pieces
- Blind plugs
- Material = PTFE-EL
- GL 14 connection



Fig.	Part No.	Description	Material
A	106 522	Safety Waste Cap, S 55 with immersed filling lance	PTFE-EL
B	450 055	Safety Waste Cap LISA, S 55	PTFE-EL
C	460 060	Safety Waste Cap, S 60/61	PTFE-EL
D	450 060	Safety Waste Cap LISA, S 60/61	PTFE-EL
E	306 482	Safety Waste Cap, S60/61	PTFE-EL

Filling Units

Feedthroughs

Pipe System

Tubing System

Safety Waste Caps

Ventilation

Containers

Level Control

Safety Cabinets

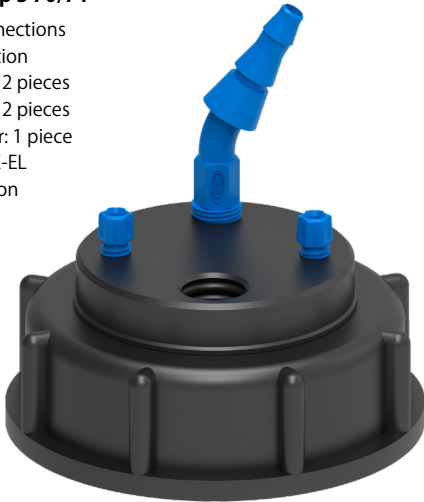
Safety Waste Caps without Sensor

S 70/71, S 90

A 460 070

Safety Waste Cap S 70/71

- 2 Capillary connections
- 1 Tube connection
- Fitting 2.3 mm: 2 pieces
- Fitting 3.2 mm: 2 pieces
- Tube connector: 1 piece
- Material = PTFE-EL
- GL 14 connection



B 450 070

Safety Waste Cap LISA S 70/71

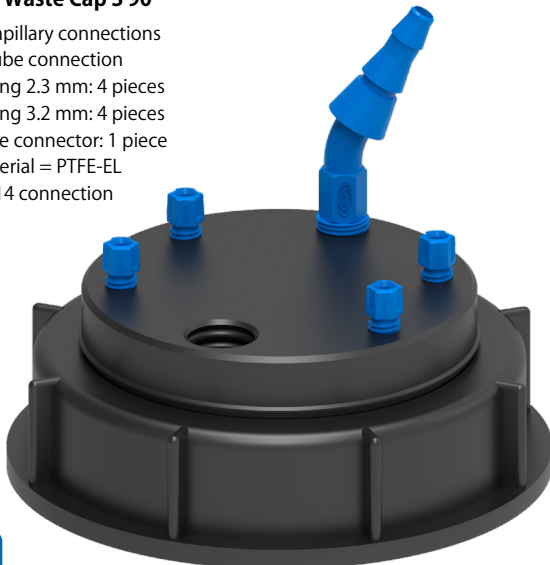
- 4 Capillary connections
- 3 Tube connections
- Fitting 1.6 mm: 4 pieces
- Fitting 2.3 mm: 4 pieces
- Fitting 3.2 mm: 4 pieces
- Tube connector: 3 pieces
- Blind plugs
- Material = PTFE-EL/PE-HD-EL
- GL 14 connection



C 460 090

Safety Waste Cap S 90

- 4 Capillary connections
- 1 Tube connection
- Fitting 2.3 mm: 4 pieces
- Fitting 3.2 mm: 4 pieces
- Tube connector: 1 piece
- Material = PTFE-EL
- GL 14 connection



D 450 090

Safety Waste Cap LISA S 90

- 4 Capillary connections
- 3 Tube connections
- Fitting 1.6 mm: 4 pieces
- Fitting 2.3 mm: 4 pieces
- Fitting 3.2 mm: 4 pieces
- Tube connector: 3 pieces
- Blind plugs
- Material = PTFE-EL/PE-HD-EL
- GL 14 connection

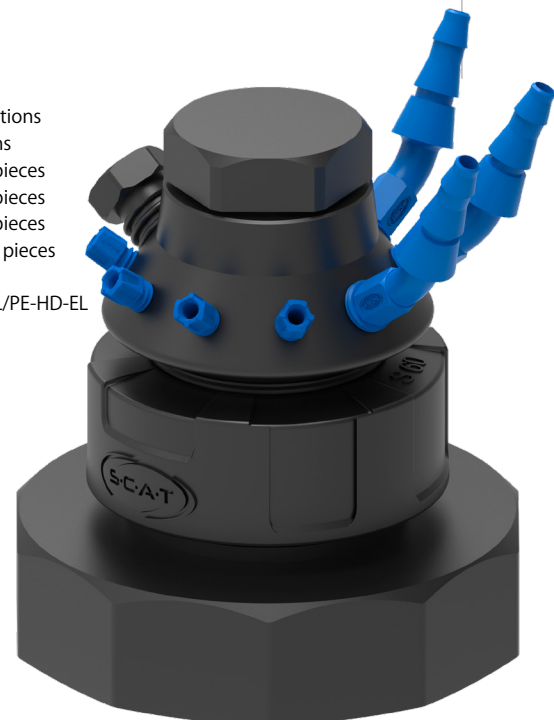


Fig.	Part No.	Description	Material
A	460 070	Safety Waste Cap, S 70/71	PTFE-EL
B	450 070	Safety Waste Cap LISA, S 70/71, adapter made of PE-HD-EL	PTFE-EL/PE-HD-EL
C	460 090	Safety Waste Cap, S 90	PTFE-EL
D	450 090	Safety Waste Cap LISA, S 90, adapter made of PE-HD-EL	PTFE-EL/PE-HD-EL

Safety Waste Caps Accessories

A 106 475 Shut-off valve, angled

- 1x GL 25 (f)
- 1x GL 25 (m)
- Dimensions: 60 x 86 x 36 mm
- Material = PTFE-EL
- Stops the flow of waste liquids into the canister. Drip-free canister change or emptying.
- Compatible with Safety Waste Caps, connectors, manifolds and the SymLine FlexTube's.



B 106 620 Angled adapter

- 1x GL 25 (f)
- Drip edge
- 1x GL 25 (m)
- PE-HD-EL



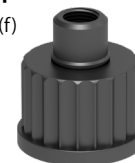
C 106 680 Angled adapter

- 1x GL 25 (f)
- 1x GL 25 (m)
- PE-HD-EL



D 106 502 Thread adapter

- NPT 1/8" (f)
- GL 25 (f)
- PE-HD-EL



E 160 206 Floater for level control

- 190 mm
- Material = PE-HD-EL / PE-HD



F 160 125 Floater for level control

- 150 mm
- Material = PE-HD-EL / PE-HD



G 160 121 Floater for level control

- 120 mm
- Material = PE-HD-EL / PE-HD



H 502 021 Floater for level control

- 105 mm
- Material = PE-HD-EL / PE-HD



Fig.	Part No.	Description	Material
A	106 475	Shut-off, angled, 1x GL25 (f) to 1x GL25 (m), PTFE electrostatic conductive	PTFE-EL
B	106 620	Angled adapter GL 25 (f) to GL 25 (m) with drip edge	PE-HD-EL
C	106 680	Angled adapter GL 25 (f) to GL 25 (m)	PE-HD-EL
D	106 502	Thread adapter NPT 1/8" (f) to GL 25 (f)	PE-HD-EL
E	160 206	Floater for mechanical / electrical level control, length 190 mm	PE-HD-EL / PE-HD
F	160 125	Floater for mechanical / electrical level control, length 150 mm	PE-HD-EL / PE-HD
G	160 121	Floater for mechanical / electrical level control, length 120 mm	PE-HD-EL / PE-HD
H	502 021	Floater for mechanical / electrical level control, length 105 mm	PE-HD-EL / PE-HD

Filling Units

Feedthroughs

Pipe System

Tubing System

Safety Waste Caps

Ventilation

Containers

Level Control

Safety Cabinets

Safety Waste Caps Accessories

A 160 502**Blind Plug, PFA**

- For capillary connection
- UNF1/4" 28G
- colorless
- quantity = 5 pieces

**B** 107 061**PFA fitting, 1.6 mm OD**

- For capillary connection
- UNF1/4" 28G
- green
- quantity = 5 pieces

**C** 107 059**PFA fitting, 2.3 mm OD**

- For capillary connection
- UNF1/4" 28G
- violet
- quantity = 5 pieces

**D** 107 063**PFA fitting, 3.2 mm OD**

- For capillary connection
- UNF1/4" 28G
- blue
- quantity = 5 pieces

**E** 117 808**Tube connector, curved, 5.0 - 11.5 mm ID**

- For tube connection
- NPT 1/8"
- curved
- 5.0 - 11.5 mm ID
- Material = PP

**G** 117 816**Tube connector, suitable for capillary port**

- For capillary connector
- UNF1/4" 28G
- Tube connector
- straight
- 6 - 8 mm ID
- Material = PP

**G** 107 680**Blind plug, PTFE-EL, GL 14**

- For exhaust filter connection
- GL 14
- Material = PTFE-EL

**H** 160 523**Blind plug, PTFE-EL, NPT 1/8"**

- For tube connector
- NPT 1/8"
- Material = PTFE-EL



Fig.	Part No.	Description	VE	Material
A	160 502	Blind plug for capillary connection	5	PFA
	160 501	Blind plug for capillary connection	10	PFA
B	107 061	Fitting for capillary connection, 1.6 mm, green	5	PFA
C	107 059	Fitting for capillary connection, 2.3 mm, violet	5	PFA
D	107 063	Fitting for capillary connection, 3.2 mm, blue	5	PFA
E	117 808	Stepped tube connector, curved, 5.0 - 11.5 mm	1	PP
F	117 816	Tube connector, straight, 6 - 8 mm	1	PP
G	107 680	Blind plug, for exhaust filter connection	1	PTFE-EL
H	160 523	Blind plug for tube connection	1	PTFE-EL

Safety Waste Caps

LISA Accessories

A 450 100
Safety Waste Cap LISA, extension satellite

- 4 Capillary connections
- 3 Tube connections
- 1 GL 14 connection
- All accessories included
- Material = PTFE-EL



B 450 130
LISA extension GL 25

- GL 25 tube connector
- Material = PTFE-EL/PE-HD-EL



C 450 110
LISA blind plug

- Blind plug for LISA
- Material = PTFE-EL



D 450 122
LISA extension

- Mechanical level control



E 450 121
LISA extension

- Electronic level control



F 450 120
LISA funnel extension

- Safety funnel
- 140 mm diameter
- Hinged lid
- Removable dirt sieve
- Material = PE-HD-EL



Fig.	Part No.	Description	Material
A	450 100	Safety Waste Cap LISA, extension satellite, all accessories included	PTFE-EL
B	450 130	Safety Waste Cap LISA, extension GL 25 connection	PTFE-EL/PE-HD-EL
C	450 110	Safety Waste Cap LISA, blind plug satellite	PTFE-EL
D	450 122	Safety Waste Cap LISA, extension mechanical level control	PTFE-EL/PE-HD-EL
E	450 121	Safety Waste Cap LISA, extension electronic level control	PTFE-EL/PE-HD-EL
F	450 120	Safety Waste Cap LISA, extension funnel	PE-HD-EL

Filling Units

Feedthroughs

Pipe System

Tubing System

Safety Waste Caps

Ventilation

Containers

Level Control

Safety Cabinets